



1. Optional U-Clamp  
2. Optional Front Flange

**Description & Features:**

- Pulsation resistant, liquid filled stainless steel case
- Glycerin filled
- Brass and stainless steel internals
- Restricted orifice
- Crimp-On bezel
- Dual scale (psi/kPa)
- Optional U-Clamps and front flanges
- CRN registered
- 3 year warranty

**Applications:**

- Ideal for pumps, compressors, hydraulic presses, machinery, pneumatic equipment and motors in harsh environments

Specifications	
<b>Dial</b>	1.5" (40mm), 2.5" (63mm), 4" (100mm), white aluminum with black and red markings
<b>Case</b>	AISI 304 SS
<b>Lens</b>	Polycarbonate
<b>Ring</b>	AISI 304 SS, Crimp-On
<b>Socket</b>	OT 58 brass or AISI 316 SS
<b>Connection</b>	1/8", 1/4" NPT or 1/2" NPT standard with restricted orifice
<b>Fill Liquid</b>	Glycerin
<b>Bourdon Tube</b>	1.5" (40mm): Brass C-shaped for pressures up to and including 600 psi (4,147 kPa); SS C-shaped for pressures over 600 psi (4,136 kPa) 2.5" (63mm), 4" (100mm): Phosphor bronze C-shaped for pressures up to and including 600 psi (4,147 kPa) unless SS internals are specified - AISI 316 SS C-shaped for 1000 psi (6,895 kPa), AISI 316 SS spiral for pressures above 1000 psi (6,895 kPa)
<b>Movement</b>	OT 59 brass or SS
<b>Pointer</b>	Aluminum, anodized black
<b>Welding</b>	Tin/copper alloy for pressures below 600 psi (4,147 kPa), 316 SS TIG Argon arc for pressures 600 psi (4,147 kPa) and above
<b>Over-Pressure Limit</b>	25% for pressures up to 1,400 psi (9,653 kPa), 15% for pressures over 1,400 psi (9,653 kPa)
<b>Gasket Material</b>	Silicone rubber for socket; EPDM for lens, filling plug and blow-out vent
<b>Working Pressure</b>	Maximum 75% of full scale value
<b>Ambient/Process Temperature</b>	-14°F to 150°F (-25°C to 65°C)
<b>Accuracy</b>	1.5" (40mm): ±2.5% of full scale 2.5" (63mm), 4" (100mm): ±1.5% of full scale
<b>Enclosure Rating</b>	IP65

Note: 1.5" (40mm) gauges are available dry (non-liquid filled) only on a special order basis



### Order Codes (products in bold are normally in stock)

Dial Size	4" (100mm)				4" (100mm)			
	1/4" Bottom	1/2" Bottom	1/4" Back (CB)	1/2" Back (CB)	1/4" Bottom	1/2" Bottom	1/4" Back (CB)	1/2" Back (CB)
Movement, Socket, Tube	Brass	Brass	Brass	Brass	SS	SS	SS	SS
30" Hg Vacuum/kPa	PFQ700	PFQ1234	PFQ730	PFQ1285	PFQ760	PFQ1535	PFQ1260	PFQ1559
30"-0-15 psi/kPa	PFQ701	PFQ1235	PFQ731	PFQ1286	PFQ761	PFQ1536	PFQ1261	PFQ1560
30"-0-30 psi/kPa	PFQ702	PFQ1236	PFQ732	PFQ1287	PFQ762	PFQ1537	PFQ1262	PFQ1561
30"-0-60 psi/kPa	PFQ703	PFQ1237	PFQ733	PFQ1288	PFQ763	PFQ1538	PFQ1263	PFQ1562
30"-0-100 psi/kPa	PFQ704	PFQ1238	PFQ734	PFQ1289	PFQ764	PFQ1539	PFQ1264	PFQ1563
30"-0-150 psi/kPa	PFQ705	PFQ1239	PFQ735	PFQ1290	PFQ765	PFQ1540	PFQ1265	PFQ1564
30"-0-200 psi/kPa	PFQ706	PFQ1240	PFQ736	PFQ1291	PFQ766	PFQ1541	PFQ1266	PFQ1565
30"-0-300 psi/kPa	PFQ707	PFQ1241	PFQ737	PFQ1292	PFQ767	PFQ1542	PFQ1267	PFQ1566
0-15 psi/kPa	PFQ708	PFQ1242	PFQ738	PFQ1293	PFQ768	PFQ1543	PFQ1268	PFQ1567
0-30 psi/kPa	PFQ709	PFQ1243	PFQ739	PFQ1294	PFQ769	PFQ1544	PFQ1269	PFQ1568
0-60 psi/kPa	PFQ710	PFQ1244	PFQ740	PFQ1295	PFQ770	PFQ1545	PFQ1270	PFQ1569
0-100 psi/kPa	PFQ711	PFQ1245	PFQ741	PFQ1296	PFQ771	PFQ1546	PFQ1271	PFQ1570
0-160 psi/kPa	PFQ712	PFQ1246	PFQ742	PFQ1298	PFQ772	PFQ1547	PFQ1272	PFQ1571
0-200 psi/kPa	PFQ713	PFQ1247	PFQ743	PFQ1524	PFQ773	PFQ1548	PFQ1273	PFQ1572
0-300 psi/kPa	PFQ714	PFQ1248	PFQ744	PFQ1525	PFQ774	PFQ1549	PFQ1274	PFQ1573
0-400 psi/kPa	PFQ715	PFQ1249	PFQ745	PFQ1526	PFQ775	PFQ1550	PFQ1275	PFQ1574
0-600 psi/kPa	PFQ716	PFQ1250	PFQ746	PFQ1527	PFQ776	PFQ1551	PFQ1276	PFQ1575
0-1,000 psi/kPa	PFQ724	PFQ717	PFQ192	PFQ747	PFQ1528	PFQ777	PFQ1552	PFQ1277
0-1,500 psi/kPa	PFQ725	PFQ718	PFQ241	PFQ748	PFQ1529	PFQ778	PFQ1553	PFQ1278
0-2,000 psi/kPa	PFQ726	PFQ719	PFQ242	PFQ749	PFQ1530	PFQ779	PFQ1554	PFQ1279
0-3,000 psi/kPa	PFQ727	PFQ720	PFQ243	PFQ750	PFQ1531	PFQ780	PFQ1555	PFQ1280
0-5,000 psi/kPa	PFQ728	PFQ721	PFQ244	PFQ751	PFQ1532	PFQ781	PFQ1556	PFQ1281
0-6,000 psi/kPa	-	PFQ784	PFQ246	PFQ785	-	PFQ789	-	PFQ1284
0-7,500 psi/kPa	-	-	PFQ247	-	-	-	-	-
0-10,000 psi/kPa	PFQ729	PFQ722	PFQ360	PFQ752	PFQ1533	PFQ782	PFQ1557	PFQ1282
0-15,000 psi/kPa	-	PFQ723	PFQ361	PFQ753	PFQ1534	PFQ783	PFQ1558	PFQ1283

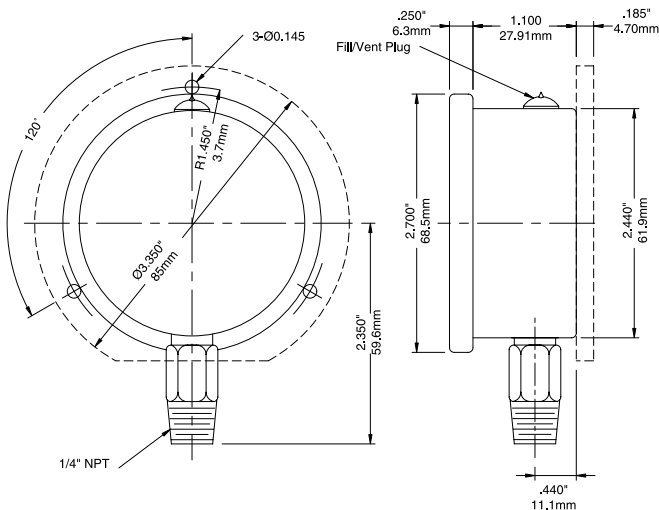
### Option suffix for above order codes only:

25UC = 2.5" (63mm) U-Clamp  
 Dry = supply above gauge less liquid fill  
 25BF = 2.5" (63mm) Back Flange  
 15UC = 1.5" U-Clamp

4UC-Q = 4" (100mm) U-Clamp  
 25FF = 2.5" (63mm) Front Flange  
 4FF = 4" (100mm) Front Flange  
 SF25 = Silicone Filled 2.5"

4UC-P = 4" U-Clamp  
 4BF = 4" (100mm) Back Flange  
 SF4 = Silicone  
 Other ranges available upon request

### 2.5" Bottom Connection



### 4" Back Connection

