

# PPS StabilizR™ Process Gauge



## Description & Features:

- StabilizR™ dampened movement minimizes effects of pulsation and vibration without liquid filling
- Full safety pattern solid front, blowout back
- $\pm 0.5\%$  accuracy
- Stainless steel full rotary movement
- Micrometer pointer for ease in calibration
- Under and overload stops
- 316L stainless steel or brass wetted parts standard
- CRN registered
- 5 year warranty

## Applications:

- Used where operator safety is a must
- Ideally suited for process, chemical and petroleum industry applications where chemical compatibility and contamination is a concern
- Process where pulsation or vibration exist

Specifications	
Dial	4.5" (115mm) aluminum with black and red markings
Case	Black phenolic, with safety blowout back, solid front, integral back flange
Lens	Polycarbonate
Ring	Phenolic
Pointer	Aluminum, anodized black, micrometer adjustable
Socket	316L SS or OT 58 brass
Connection	1/4" or 1/2" NPT
Bourdon Tube	316L SS or phosphor bronze
Movement	304 SS protected with over/under stops (stabilized)
Seal	EPDM
Welding	TIG
O-ring	Nitrile
Ambient/Process Temperature	-40°F to 150°F (-40°C to 65°C)
Over-pressure Limit	25% for pressures up to 1500 psi/kPa 15% for pressures 1501 to 8700 psi/kPa 10% for pressures above 8701 psi/kPa
Working Pressure	Maximum 75% of full scale value
Accuracy	$\pm 0.5\%$ ANSI/ASME Grade 2A
Enclosure Rating	IP65

### Order Codes (products in bold are normally in stock)

Connection	Bottom 1/4"	Back (LB) 1/4"	Bottom 1/4"	Back (LB) 1/4"	Bottom 1/2"	Back (LB) 1/2"
Socket, Tube	Brass	Brass	SS	SS	SS	SS
30" Hg Vacuum/kPa	PPS5080Z	PPS5280Z	PPS5040Z	PPS5340Z	PPS5060Z	PPS5460Z
30"-0-15 psi/kPa	PPS5120Z	PPS5220Z	PPS5130Z	PPS5330Z	PPS5140Z	PPS5440Z
30"-0-30 psi/kPa	PPS5121Z	PPS5221Z	PPS5131Z	PPS5331Z	PPS5141Z	PPS5441Z
30"-0-60 psi/kPa	PPS5122Z	PPS5222Z	PPS5132Z	PPS5332Z	PPS5142Z	PPS5442Z
30"-0-100 psi/kPa	PPS5123Z	PPS5223Z	PPS5133Z	PPS5333Z	PPS5143Z	PPS5443Z
30"-0-160 psi/kPa	PPS5124Z	PPS5224Z	PPS5134Z	PPS5334Z	PPS5144Z	PPS5444Z
30"-0-200 psi/kPa	PPS5125Z	PPS5225Z	PPS5135Z	PPS5335Z	PPS5145Z	PPS5445Z
30"-0-300 psi/kPa	PPS5126Z	PPS5226Z	PPS5136Z	PPS5336Z	PPS5146Z	PPS5446Z
0-15 psi/kPa	PPS5081Z	PPS5281Z		PPS5341Z		PPS5461Z
0-30 psi/kPa	PPS5082Z	PPS5282Z	PPS5042Z	PPS5342Z	PPS5062Z	PPS5462Z
0-60 psi/kPa	PPS5083Z	PPS5283Z	PPS5043Z	PPS5343Z	PPS5063Z	PPS5463Z
0-100 psi/kPa	PPS5084Z	PPS5284Z		PPS5344Z	PPS5064Z	PPS5464Z
0-160 psi/kPa	PPS5085Z	PPS5285Z		PPS5345Z		PPS5465Z
0-200 psi/kPa	PPS5086Z	PPS5286Z		PPS5346Z	PPS5066Z	PPS5466Z
0-300 psi/kPa	PPS5087Z	PPS5287Z		PPS5347Z	PPS5067Z	PPS5467Z
0-400 psi/kPa	PPS5088Z	PPS5288Z	PPS5048Z	PPS5348Z	PPS5068Z	PPS5468Z
0-600 psi/kPa	PPS5089Z	PPS5289Z	PPS5049Z	PPS5349Z	PPS5069Z	PPS5469Z
0-1,000 psi/kPa	PPS5098Z	PPS5298Z	-	-	-	-
Connection Size	1/2"	1/2"	1/4"	1/4"	1/2"	1/2"
0-1,000 psi/kPa	PPS5090Z	PPS5290Z	PPS5050Z	PPS5350Z	PPS5070Z	PPS5470Z
0-1,500 psi/kPa	PPS5091Z	PPS5291Z	PPS5051Z	PPS5351Z	PPS5071Z	PPS5471Z
0-2,000 psi/kPa	PPS5092Z	PPS5292Z	PPS5052Z	PPS5352Z	PPS5072Z	PPS5472Z
0-3,000 psi/kPa	PPS5093Z	PPS5293Z	PPS5053Z	PPS5353Z	PPS5073Z	PPS5473Z
0-5,000 psi/kPa	PPS5094Z	PPS5294Z	PPS5054Z	PPS5354Z	PPS5074Z	PPS5474Z
0-10,000 psi/kPa	PPS5095Z	PPS5295Z	PPS5055Z	PPS5355Z	PPS5075Z	PPS5475Z
0-15,000 psi/kPa	PPS5096Z	PPS5296Z	PPS5056Z	PPS5356Z	PPS5076Z	PPS5476Z
0-20,000 psi/kPa	PPS5097Z	PPS5297Z	PPS5057Z	PPS5357Z	PPS5077Z	PPS5477Z

### Option suffix for above order codes only:

FMR = Flush mounted ring

CS = Carbon steel socket/stainless steel tube

MS = Monel® tube and socket

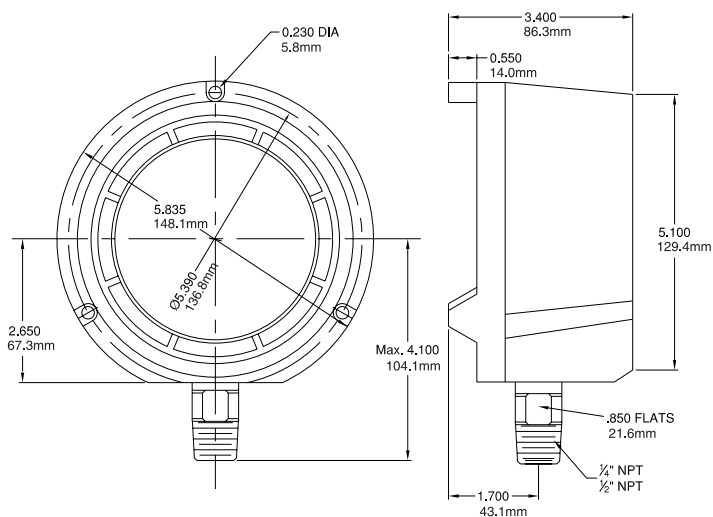
6HCS = 6" solid front hinged case (back connection only)

HCSF = 4.5" (115mm) solid front hinged case (back connection only)

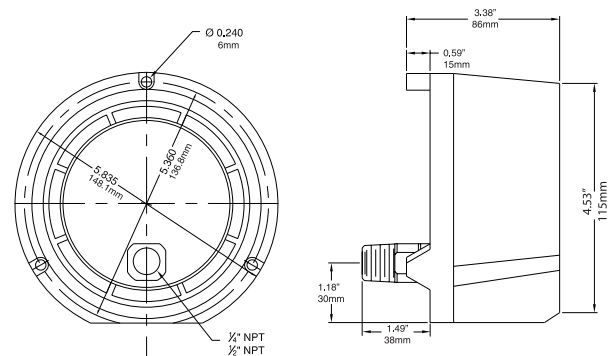
SG-45 = 4.5" (115mm) safety glass

Note: 1/2" NPT brass available on ranges below 1,000 psi/kPa; other ranges available on request

### 4.5" (115mm) Bottom Connection



### 4.5" (115mm) Back Connection



Monel® is a registered trademark of Inco Alloys International

### Series Number (for custom, non-standard product)

	P	P	S														
<b>SERIES</b>																	
<b>DIAL SIZE</b> 4.5" (115mm)				4	5												
<b>CASE MATERIALS</b> Phenolic						F											
<b>WETTED PARTS</b> Brass							B										
316SS							S										
Monel							M										
Special							Z										
<b>CONFIGURATION</b> Bottom Connection, Back Flange, Surface Mounting								B									
Back Connection, Back Flange, Surface Mounting								E									
Special								Z									
<b>CONNECTION SIZE</b> 1/4"									4								
1/2"									2								
<b>THREAD</b> NPT										N							
BSP (G)										B							
BSPT (R)										T							
Special										Z							
<i>PRIMARY SCALE</i>																	
<b>UNITS - See Page 13</b>																	
<b>RANGE - See Page 13</b>																	
<i>SECONDARY SCALE</i>																	
<b>UNITS - See Page 13</b>																	
<b>OPTIONS</b> Flush Mounting Ring																S	P
Hinged Case																S	T
Maximum Adjustable Pointer																S	J
Monel Socket and Tube																S	W
NACE-MR0175-2002																S	5
Oxygen Cleaning																S	L
Safety Glass																S	A
Stainless Steel Tag Plate																S	M
Test Certificate																S	O
No Options																X	X