

# PSC Safety Case Gauge



## Description & Features:

- Solid front blowout back for the ultimate in gauge safety
- Full rotary movement and micrometer pointer for ease in calibration
- Stainless steel
- Safety glass lens
- CRN registered
- 5 year warranty

## Applications:

- Used where operator safety is a must

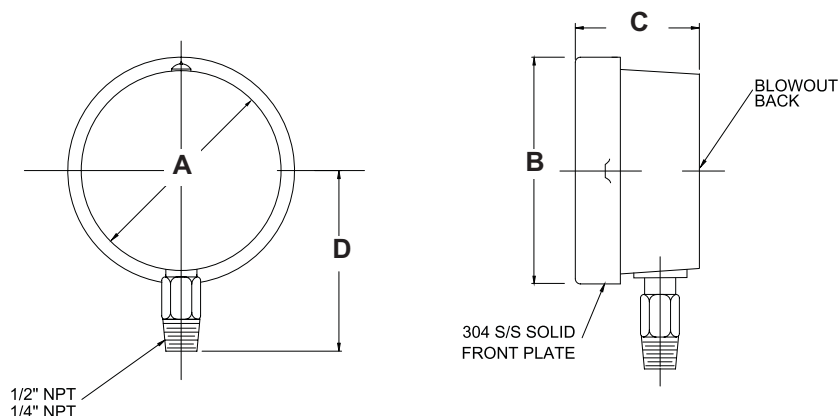
Specifications	
Dial	4" (100mm), 4.5" (115mm), 6" (150mm), white aluminum dial with black and red markings
Case	304 SS case with blowout back
Lens	4" (100mm), 6" (150mm): Laminated safety glass 4.5" (115mm): Tempered safety glass
Ring	SS bayonet
Socket	316L SS
Connection	1/4" or 1/2" NPT bottom
Bourdon Tube	316L SS
Movement	304 SS
Pointer	Aluminum, anodized black, micrometer adjustable
Over-Pressure Limit	30% for pressure up to 600 psi (4,147 kPa) 15% for pressure over 600 psi (4,147 kPa)
Working Pressure	Maximum 75% of full scale value
Ambient/Process Temperature	-40°F to 150°F (-40°C to 65°C)
Accuracy	4" (100mm), 6" (150mm): ±1% ANSI/ASME Grade 1A 4.5" (115mm): ±0.5% ANSI/ASME Grade 2A
Enclosure Rating	IP65 per UEC 529, UNI 8896

## Order Codes

Dial Size	4" (100mm)		4.5" (115mm)		6" (150mm)	
	1/4" Bottom	1/2" Bottom	1/4" Bottom	1/2" Bottom	1/4" Bottom	1/2" Bottom
30" Hg Vacuum/kPa	PSC248	-	PSC281	-	PSC283	-
30"-0-15 psi/kPa	PSC249	-	PSC282	-	PSC284	-
30"-0-30 psi/kPa	PSC257	-	PSC358	-	PSC285	-
30"-0-60 psi/kPa	PSC258	-	PSC359	-	PSC286	-
30"-0-100 psi/kPa	PSC259	-	PSC362	-	PSC287	-
30"-0-150 psi/kPa	PSC260	-	PSC363	-	PSC289	-
30"-0-200 psi/kPa	PSC261	-	PSC364	-	PSC296	-
30"-0-300 psi/kPa	PSC262	-	PSC365	-	PSC297	-
0-15 psi/kPa	PSC263	-	PSC366	-	PSC298	-
0-30 psi/kPa	PSC264	-	PSC367	-	PSC299	-
0-60 psi/kPa	PSC265	-	PSC368	-	PSC307	-
0-100 psi/kPa	PSC266	-	PSC369	-	PSC308	-
0-160 psi/kPa	PSC267	-	PSC370	-	PSC309	-
0-200 psi/kPa	PSC268	-	PSC371	-	PSC317	-
0-300 psi/kPa	PSC269	-	PSC372	-	PSC318	-
0-400 psi/kPa	PSC272	-	PSC373	-	PSC335	-
0-600 psi/kPa	PSC273	-	PSC374	-	PSC336	-
0-1,000 psi/kPa	-	PSC274	-	PSC375	-	PSC337
0-1,500 psi/kPa	-	PSC275	-	PSC376	-	PSC338
0-2,000 psi/kPa	-	PSC276	-	PSC377	-	PSC339
0-3,000 psi/kPa	-	PSC277	-	PSC378	-	PSC347
0-5,000 psi/kPa	-	PSC278	-	PSC379	-	PSC348
0-10,000 psi/kPa	-	PSC498	-	PSC380	-	PSC502
0-15,000 psi/kPa	-	PSC499	-	PSC381	-	PSC504
0-20,000 psi/kPa	-	-	-	-	-	-

### Option suffix for above order codes only:

G = Glycerin filled



## Dimensions

Dial	A	B	C	D
4"	4.1" (105mm)	4.67" (119mm)	2.244" (57mm)	3.80" (96.5mm)
4.5"	4.764" (121mm)	5.394" (137mm)	2.244" (57mm)	4.213" (107mm)
6"	5.67" (144mm)	6.32" (160mm)	2.244" (57mm)	4.63" (117.5mm)

Monel® is a registered trademark of Inco Alloys International

## Series Number (for custom, non-standard product)

	P	S	C															
<b>SERIES</b>																		
<b>DIAL SIZE</b>																		
4.0" (100mm)				4	0													
4.5" (115mm)				4	5													
6.0" (150mm)				6	0													
<b>CASE MATERIALS</b>																		
304SS																		
316SS																		
<b>WETTED PARTS</b>																		
316SS																		
Monel																		
Special																		
<b>CONFIGURATION</b>																		
Bottom Connection, Stem Mounting																		
Bottom Connection, Back Flange, Surface Mounting																		
Bottom Connection, Front Flange, Surface Mounting																		
Back Connection, Stem Mounting																		
Back Connection, Back Flange, Surface Mounting																		
Back Connection, Wide Front Flange, (Drilled) Panel Mounting																		
Back Connection, Narrow Front Ring, Panel Mounting (Yoke)																		
Special																		
<b>CONNECTION SIZE</b>																		
1/4"																		
3/8"																		
1/2"																		
Special																		
<b>THREAD</b>																		
NPT																		
BSP (G)																		
BSPT (R)																		
Special																		
<i>PRIMARY SCALE</i>																		
<b>UNITS - See Page 13</b>																		
<b>RANGE - See Page 13</b>																		
<i>SECONDARY SCALE</i>																		
<b>UNITS - See Page 13</b>																		
<b>OPTIONS</b>																		
316L wetted																		S C
Fluorolube Filled																		S R
Glycerin Filled																		S E
Halocarbon Filled																		S Q
Maximum Adjustable Pointer																		S J
Over and Understops																		S U
Oxygen Cleaning																		S L
Silicone Filled																		S D
Stainless Steel Tag Plate																		S M
NACE MR0175																		S N
StabilZR™ Movement																		S 3
Test Certificate																		S O
No Options																		X X