



### Description & Features:

- A general purpose, versatile 1" (25mm) to 6" (150mm) dial, 304 stainless steel thermometer
- Bi-metallic sensing element for reliable readings
- Back, bottom or adjustable angle connection
- Stem length from 2.5" (63mm) and up
- $\pm 1\%$  accuracy
- Anti-parallax dial that reduces operator reading errors
- Re-zero adjustment screws are standard on the 2" (50mm) to 6" (150mm) dials
- 5 year warranty

### Applications:

- Industrial process, food processing and wastewater

Specifications	
Dial	1" (25mm), 2" (50mm), 3" (75mm), 4" (100mm), 5" (125mm), 6" (150mm) aluminum with black markings, dish-shaped
Case	AISI 304 SS
Stem	AISI 304 SS, centre back, bottom or adjustable angle configurations 2" (50mm): centre back connection only
Recalibrator	Standard*
Lens	1" (25mm): Acrylic Others: Glass standard, hermetically sealed
Ring	AISI 304 SS
Connection	1" (25mm): None 2" (50mm): $\frac{1}{4}$ " NPT standard 3" (75mm), 4" (100mm), 5" (125mm), 6" (150mm): $\frac{1}{2}$ " NPT standard
Movement	Bi-metallic coil
Pointer	Brass, painted black
Maximum Operating Pressure	125 psi (861 kPa)
Operating Temperature	75% of full scale value (recommended maximum)
Ambient Temperature	-58°F to 248°F (-50°C to 120°C)
Accuracy	$\pm 1\%$
Enclosure Rating	IP68

\*Not available on 1" pocket and 2" laboratory thermometer

Note: The use of a thermowell is recommended to protect the thermometer in corrosive or pressure applications, as well as to maintain a closed system during its removal from the process

# TBM Bi-Metal Thermometer

## Order Codes (products in bold are normally in stock)

To order, specify the code for each dial/stem length and the range: i.e. TBM20025 - B26

Dial Size	Stem Length	Fixed Centre Back	Bottom	Adjustable Angle
1" (25mm) pocket thermometer	5" (125mm)	<b>TBM10050</b>	-	-
2" (50mm) lab thermometer	8" (200mm)	<b>TBM20080</b>	-	-
2" (50mm)	2.5" (63mm)	<b>TBM20025</b>	-	-
	4" (100mm)	<b>TBM20040</b>	-	-
	6" (150mm)	<b>TBM20060</b>	-	-
	9" (225mm)	<b>TBM20090</b>	-	-
	12" (300mm)	<b>TBM20120</b>	-	-
3" (75mm)	2.5" (63mm)	<b>TBM30025</b>	TBM31025	<b>TBM32025</b>
	4" (100mm)	<b>TBM30040</b>	TBM31040	<b>TBM32040</b>
	6" (150mm)	<b>TBM30060</b>	TBM31060	<b>TBM32060</b>
	9" (225mm)	<b>TBM30090</b>	TBM31090	<b>TBM32090</b>
	12" (300mm)	<b>TBM30120</b>	TBM31120	<b>TBM32120</b>
4" (100mm)	2.5" (63mm)	TBM40025	TBM41025	TBM42025
	4" (100mm)	TBM40040	TBM41040	TBM42040
	6" (150mm)	TBM40060	TBM41060	TBM42060
	9" (225mm)	TBM40090	TBM41090	TBM42090
	12" (300mm)	TBM40120	TBM41120	TBM42120
5" (125mm)	2.5" (63mm)	<b>TBM50025</b>	TBM51025	<b>TBM52025</b>
	4" (100mm)	<b>TBM50040</b>	TBM51040	<b>TBM52040</b>
	6" (150mm)	<b>TBM50060</b>	TBM51060	<b>TBM52060</b>
	9" (225mm)	<b>TBM50090</b>	TBM51090	<b>TBM52090</b>
	12" (300mm)	<b>TBM50120</b>	TBM51120	<b>TBM52120</b>
6" (150mm)	2.5" (63mm)	TBM60025	TBM61025	TBM62025
	4" (100mm)	TBM60040	TBM61040	TBM62040
	6" (150mm)	TBM60060	TBM61060	TBM62060
	9" (225mm)	TBM60090	TBM61090	TBM62090
	12" (300mm)	TBM60120	TBM61120	TBM62120

Available Ranges					
°F & °C (Dual)	Code	°F only	Code	°C Only	Code
-100°F to 150°F & -70°C to 70°C	<b>B1</b>	-40°F to 120°F	B14	-80°C to 50°C	B26
-40°F to 120°F & -40°C to 50°C	B2	-40°F to 160°F	B15	-50°C to 50°C	B27
0°F to 140°F & -20°C to 60°C	<b>B3</b>	0°F to 140°F	B16	0°C to 50°C	B28
-40°F to 160°F & -40°C to 70°C	<b>B4</b>	0°F to 200°F	B17	-50°C to 100°C	B29
25°F to 125°F & -5°C to 50°C	B5	20°F to 240°F	B18	0°C to 100°C	B30
0°F to 200°F & -20°C to 90°C	<b>B6</b>	0°F to 250°F	B19	-20°C to 120°C	B31
20°F to 240°F & -5°C to 115°C	B7	50°F to 300°F	B20	0°C to 150°C	B32
0°F to 250°F & -20°C to 120°C	<b>B8</b>	50°F to 400°F	B21	0°C to 200°C	B33
50°F to 300°F & 10°C to 150°C	<b>B9</b>	50°F to 550°F	B22	0°C to 300°C	B34
50°F to 400°F & 10°C to 200°C	<b>B10</b>	150°F to 750°F	B23	0°C to 450°C	B35
50°F to 500°F & 10°C to 260°C	<b>B11</b>	0°F to 800°F	B24	100°C to 550°C	B36
150°F to 750°F & 100°C to 400°C	<b>B12</b>	200°F to 1,000°F	B25	-	-
200°F to 1,000°F & 100°C to 540°C	<b>B13</b>	-	-	-	-

### Option suffix for above order codes only:

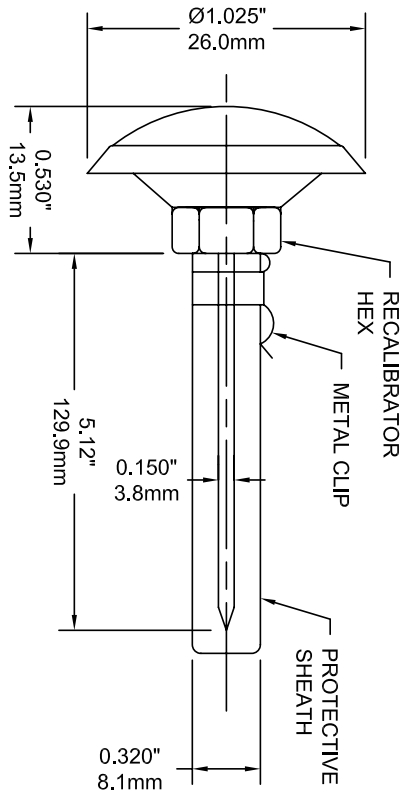
6" models flat dial only  
 AP3 = 3" acrylic lens  
 AP4 = 4" acrylic lens  
 AP5 = 5" acrylic lens  
 AP6 = 6" acrylic lens

BG3 = 3" glycerin filling  
 BG4 = 4" glycerin filling  
 BG5 = 5" glycerin filling  
 BG6 = 6" glycerin filling  
 DUCT = Aluminum duct flange

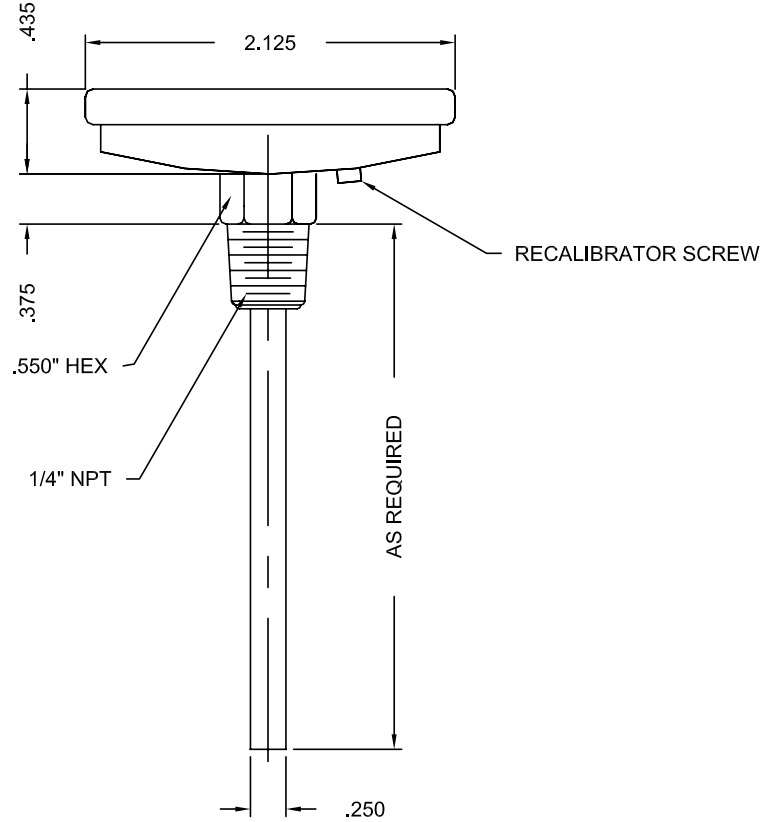
Longer stem lengths are available  
 SCK = Socket conversion kit  
 Silicone fill is available  
 SPG3 = 3" Shatterproof glass lens  
 SPG5 = 5" Shatterproof glass lens

Note: The use of a thermowell is recommended to protect the thermometer from corrosive or damaging environments, as well as to maintain a closed system during its removal from the process

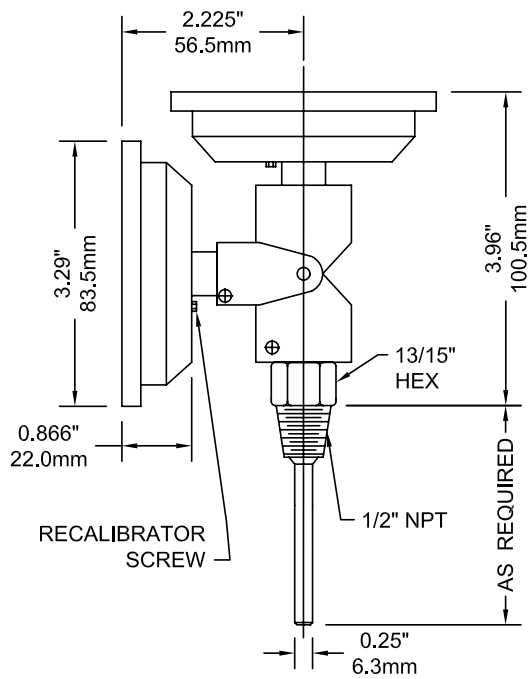
### 1" Back Connection



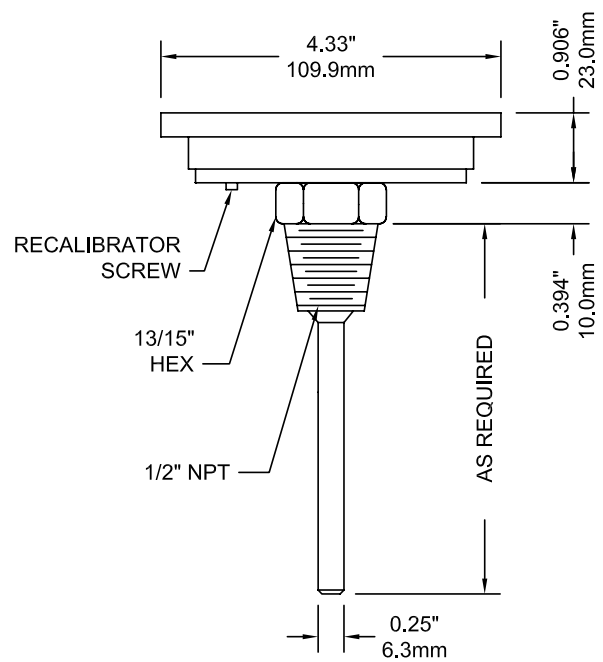
### 2" Back Connection



### 3" Adjustable Angle Connection

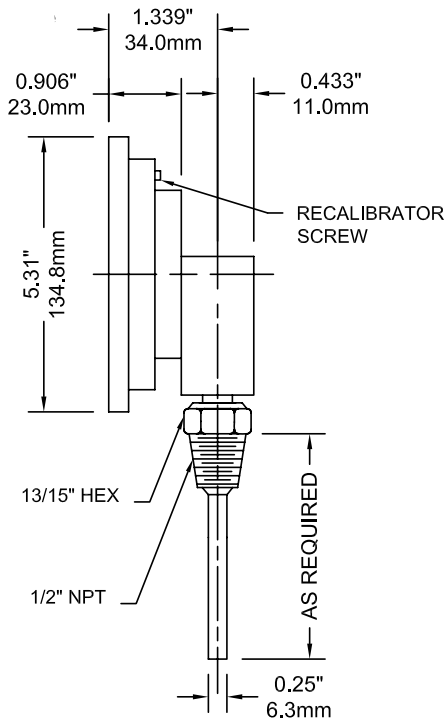


### 4" Back Connection

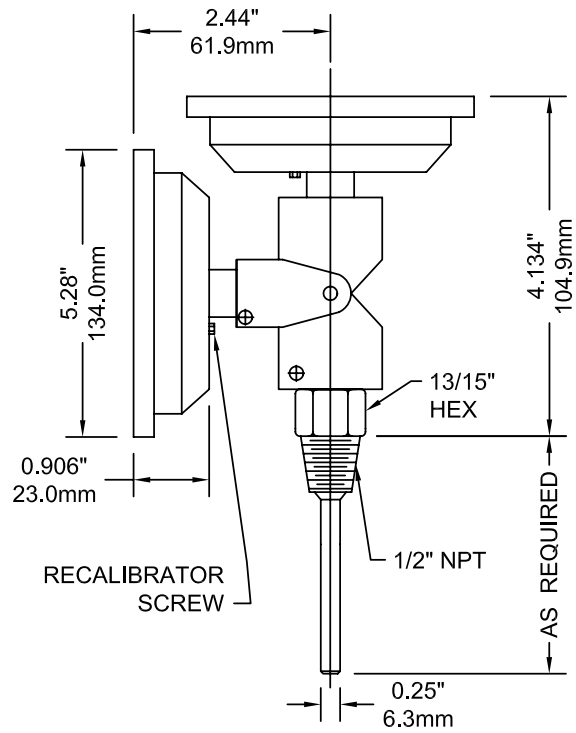


# TBM Bi-Metal Thermometer

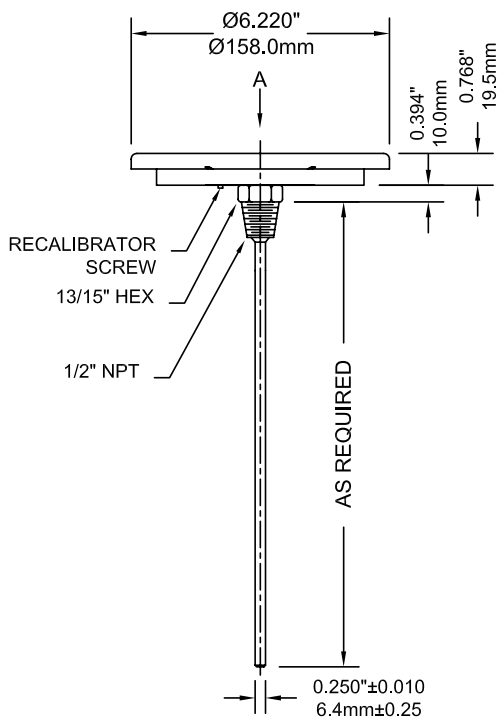
5" Bottom Connection



5" Adjustable Angle Connection



6" Back Connection



6" Bottom Connection

