



Description & Features:

- A solar powered digital thermometer that provides a local temperature reading to $\frac{1}{10}$ of a degree
- 304 stainless steel case, stem and socket
- Hermetically sealed thermometer case
- Minimum required light 35 Lux
- Ceramic resistance sensing element
- $\frac{1}{2}$ " adjustable angle connection
- 4" (100mm), 6" (150mm) and 9" (230mm) stem lengths
- Fahrenheit or Celsius scales available
- 1 year warranty

Applications:

- Temperature sensing for heating, ventilation, air conditioning, food processing, waste water, industrial processes or compressors

Specifications

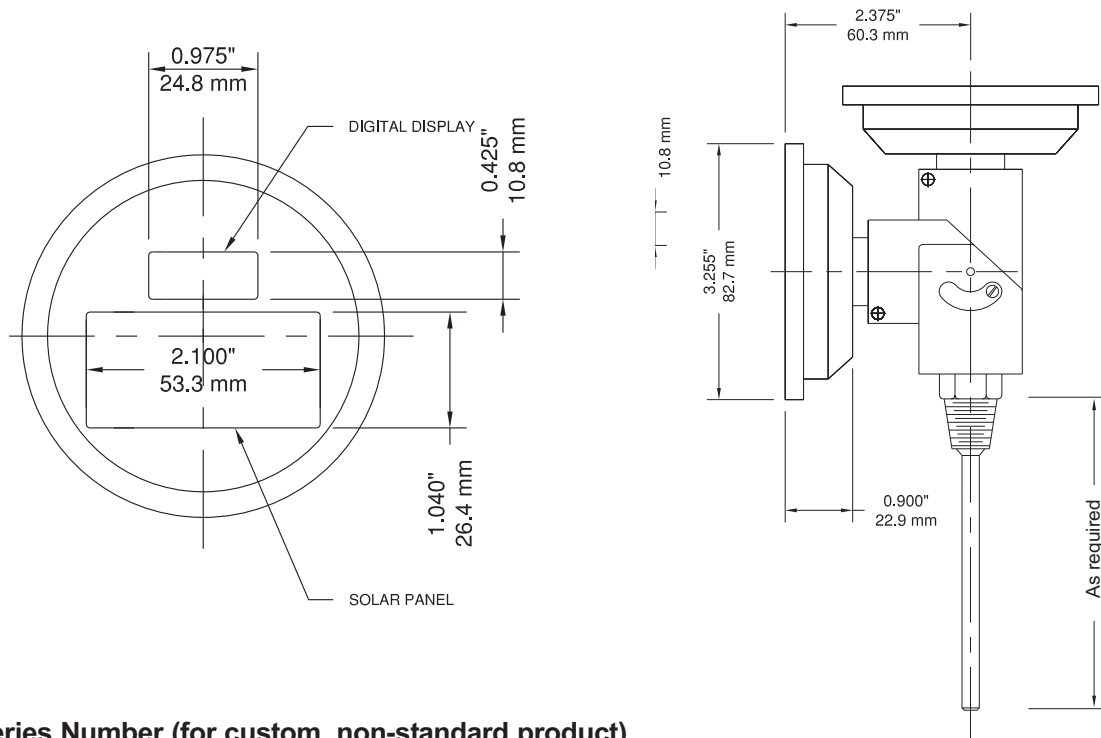
Dial	3" (75mm)
Case	304 SS case
Lens	Glass (3mm thickness)
Ring	304 SS, bezel, hermetically sealed
Display	LCD
Stem	304 SS, 0.25" diameter with lengths 2.5" (63mm) to 24" (600mm)
Connection	$\frac{1}{2}$ " NPT fully adjustable
Sensor	Ceramic resistance
Lux Rating	35 Lux
Ambient Temperature	-4°F to 122°F (-20°C to 50°C)
Temperature Range	-50 to 320°F (-50 to 180°C)
Read Interval	Every 6 seconds
Accuracy	±1%
Enclosure Rating	NEMA4 / IP65

Order Codes (products in bold are normally in stock)

Stem Length	°F Scale	°C Scale
2.5" (63mm)	THS32025F	THS32025C
4" (100mm)	THS32040F	THS32040C
6" (150mm)	THS32060F	THS32060C
9" (230mm)	THS32090F	THS32090C
12" (300mm)	THS32120F	THS32120C
15" (370mm)	THS32150F	THS32150C
18" (450mm)	THS32180F	THS32180C
24" (600mm)	THS32240F	THS32240C

Note: $\frac{1}{4}$ " NPT and $\frac{3}{8}$ " NPT connection available
 Longer stem lengths available up to 72"
 316 SS wetted parts and sharp tip are available

THS Solar Digital Bi-Metal Thermometer



Series Number (for custom, non-standard product)

	T	H	S	-		-			-		-		-		-	
SERIES																
DIAL SIZE																
3"																
CONFIGURATION																
Adjustable Angle																
STEM LENGTH																
2.5"																
4"																
6"																
Others (in inches X 10)																
STEM MATERIAL																
304 SS																
316 SS																
STEM DIAMETER																
0.260"																
THREAD SIZE																
1/4"																
3/8"																
1/2"																
Special																
THREAD TYPE																
NPT																
BSP																
BSPT																
OPTIONS																
316 SS stem																
Deg F scale																
Deg C scale																