

Description & Features:

- Widely specified in the industrial and commercial plumbing trade
- Includes a separable thermowell
- 3.5" (90mm) and 6" (160mm) stem
- Available in aluminum or Valox® (9") case
- Organic filled tube (non-mercury)
- Dual scale (°F & °C)
- Vari-angle connection and 360 degree case rotation for easy installation
- Graphite filled bulb chamber for maximum heat conduction
- ±1% accuracy
- 1 year warranty

Applications:

- New construction, plumbing, water lines, boilers, heating, ventilation and air conditioning

Specifications	
Dial	9" (230mm) aluminum or Valox® case, impact resistant
Lens	Glass
Connection	3/4" NPT with thermowell 1 1/4" - 18 UNEF swivel nut (no thermowell)
Scales	Aluminum painted white with black markings
Bulb Chamber	Tapered cast aluminum with graphite fill
Liquid Filling	Organic liquid filled tube
Adjustment	Fully adjustable
Thermowell	3/4" brass separable socket (Other thermowells available)
Accuracy	±1%
Enclosure Rating	IP54

Note: For an Industrial 9IT Thermowell, please refer to the Industrial 9IT Thermowell product page
Valox® is a registered trademark of the General Electric Company

TIM Industrial 9IT Thermometer

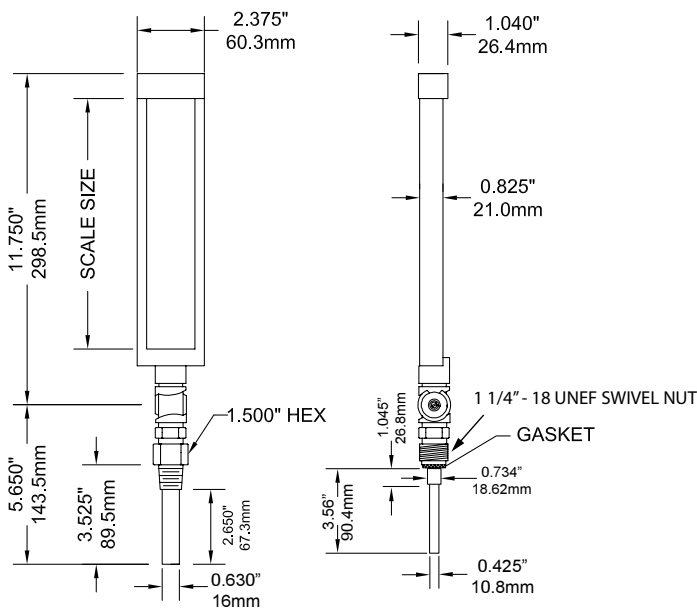
Order Codes (products in bold are normally in stock)

Stem	Aluminum Case		Valox® Case	
	3.5" (75mm)	6" (150mm)	3.5" (75mm)	6" (150mm)
-40°F to 110°F & -40°C to 40°C	TIM101A	TIM101-6A	TIM101	TIM101-6
0°F to 120°F & -15°C to 50°C	TIM102A	TIM102-6A	TIM102	TIM102-6
0°F to 160°F & -15°C to 70°C	TIM103A	TIM103-6A	TIM103	TIM103-6
30°F to 180°F & 0°C to 80°C	TIM104A	TIM104-6A	TIM104	TIM104-6
30°F to 240°F & 0°C to 115°C	TIM100A	TIM100-6A	TIM100	TIM100-6
30°F to 300°F & 0°C to 150°C	TIM105A	TIM105-6A	TIM105	TIM105-6

Note: Duct flange available upon request
 Union connection available upon request
 Other ranges and connection sizes available upon request
 Valox® is a registered trademark of General Electric Co.

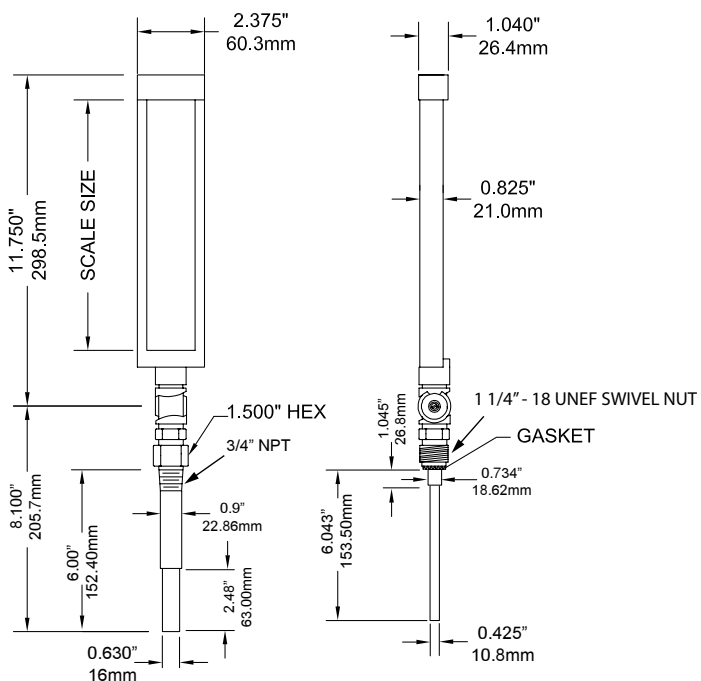
3.5" Stem

6" Stem



With Socket

Without Socket



With Socket

Without Socket