

TSD Industrial 9IT Solar Digital Thermometer



Description & Features:

- A versatile thermometer that provides a solar powered digital readout commonly used in the industrial and commercial plumbing trade
- Low light compatible (16 Lux minimum)
- Includes a separable thermowell
- Durable ABS case
- Switchable temperature scale (°F or °C)
- Vari-angle connection for easy installation
- ±1% accuracy
- 1 year warranty

Applications:

- New construction, plumbing, water lines, boilers, heating, ventilation and air conditioning

Specifications

| | |
|--------------------------------|---|
| Display | 2.55" x 4.67" (63.7mm x 116.7mm) solar powered display |
| Housing | High impact ABS plastic housing with aluminum movable parts |
| Lux Rating | 16 Lux |
| Stem Length | 3.5" (90mm), 6" (150mm) |
| Connection / Thermowell | 3/4" NPT, with brass thermowell standard 1 1/4" UNEF swivel nut (without thermowell) |
| Temperature Range | -50°F to 320°F (-45°C to 160°C) |
| Read Interval | Every 6 seconds |
| Ambient Temperature | 14°F to 150°F (-10°C to 65°C) |
| Process Temperature | -50°F to 320°F (-45°C to 160°C) |
| Accuracy | ±1% |
| Enclosure Rating | NEMA 5 / IP54 |

Order Codes (products in bold are normally in stock)

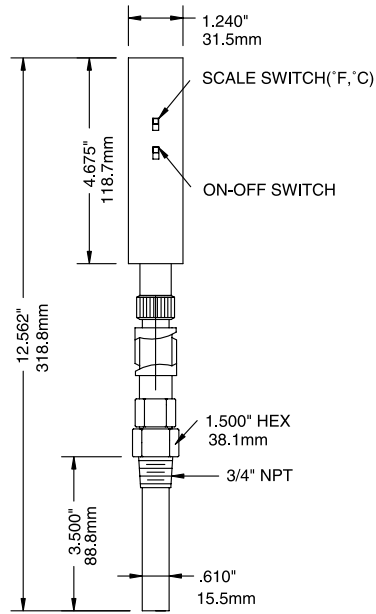
| Stem/Ranges | Code (Includes Thermowell) |
|---|-----------------------------------|
| 3.5" (90mm) Stem (-50°F to 320°F or -45°C to 160°C) | TSD9ITSD |
| 6" (150mm) Stem (-50°F to 320°F or -45°C to 160°C) | TSD9ITSD6 |

Note: Duct flange available upon request

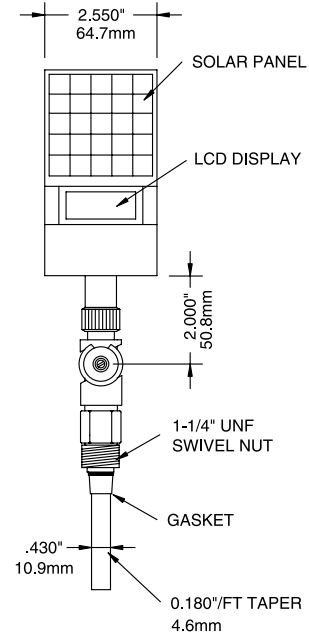
Union connection available upon request

For an Industrial 9IT Thermowell, please refer to the Industrial 9IT Thermowell product page

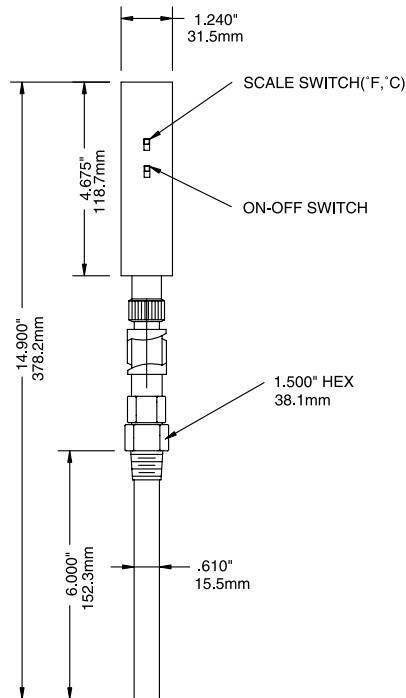
3.5" Stem with Thermowell



3.5" Stem without Thermowell



6" Stem with Thermowell



6" Stem without Thermowell

