



## Description & Features:

- An economical panel mounted digital thermometer for remote readings
- 2" (50mm) and 2.5" (63mm) stainless steel case
- Panel mounted with a front flange
- 4 digit display
- Dual scale switch (°F or °C) for 2" (50mm) thermometer
- 4 feet of PVC coated capillary
- 1 year warranty

## Applications:

- Freezers, walk-in refrigeration units, food storage cabinets, heating and ventilation equipment

Specifications	
Dial	Polycarbonate
Case	AISI 304 SS, polished
Probe	AISI 304 SS
Lens	Polycarbonate
Capillary	PVC, 4' (1.21m) long, standard
Power Supply	Solar cell
Smallest Reading	0.1°F or 0.1°C
Ambient Temperature	14°F to 140°F (-10°C to 60°C)
Process Temperature	TSR7214040: -58°F to 158°F (-50°C to 70°C) dual scale TSR7224040-F: -58°F to 302°F single scale TSR7224040-C: -50°C to 150°C single scale
Accuracy	±2°F (±1°C)

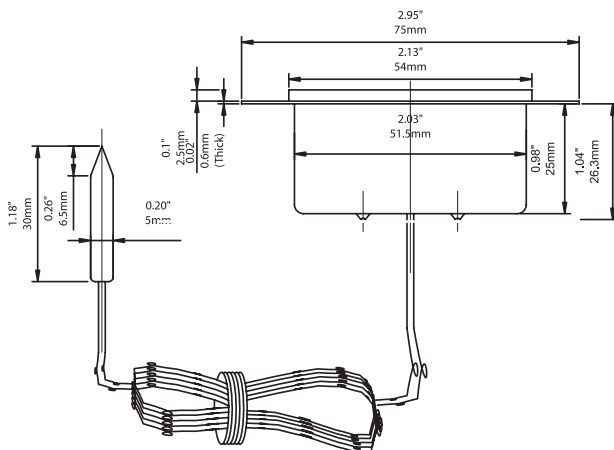
## Order Codes (products in bold are normally in stock)

Dial Size	Codes
2" (50mm)	TSR7214040
2.5" (63mm)	<b>TSR7224040 - °F</b>
2.5" (63mm)	<b>TSR7224040 - °C</b>

-58 to 302°F only (single scale) range available upon request on 2" dials  
-50 to 50°C only (single scale) range available upon request on 2" dials

Note: PVC cable available in lengths up to 108" (9ft) - single scale dials only

### 2" with Front Flange



BC Length: 48" (1219.2mm)

### 2.5" with Front Flange

